



Capital Area Transportation Authority
 4615 Tranter Street
 Lansing, MI 48910

REQUEST FOR QUOTE

1. SOLICITATION: RFQ 2015-F01	2. ISSUE DATE: 23 March 2015	3. DUE DATE: 30 March 2015
--------------------------------------	-------------------------------------	-----------------------------------

4. FOR INFORMATION CONTACT
NAME: Barry Flowers **PHONE:** 517.394.1100
E-MAIL: bflowers@cata.org **FAX:** 517.394.3733

5. DESCRIPTION:

A. CATA is requesting prices for **Exhaust Hose Adaptor and Installation Tool**, see attached drawings:

Material Needed

- 14 Stainless Steel 18 gage exhaust hose adaptors. Adaptors to be welded no pop rivets.
- 8 Exhaust hose installation tools.

B. Delivery time is 45 calendar days after receipt of purchase order.

C. The FOB point is destination. All pricing quoted shall be a delivered price to CATA Corporate Offices, 4615 Tranter Street, Lansing, Michigan 48910.

D. **YOU MUST SIGN AND RETURN ALL PAGES – INCLUDING THIS PAGE, ALONG WITH EXHIBIT A,**

Attachments:
 Exhibit "A" - Pricing Schedule

6. Name and address of Firm	6a. Phone Number
6b. Name of Person Authorized to Sign (Type or Print)	6c. Title of Offeror
6d. (Signature of Person Authorized to Sign)	6e. (Date Signed)

**EXHIBIT A
PRICING SCHEDULE**

CLIN	DESCRIPTION	Part No:	QTY	U/M	UNIT COST	EXTENDED COST
1001	Exhaust Hose Adaptor		14		\$	\$
1002	Installation Tool		8		\$	\$
1003	Shipping				\$	\$
TOTAL						\$

Bidder: _____

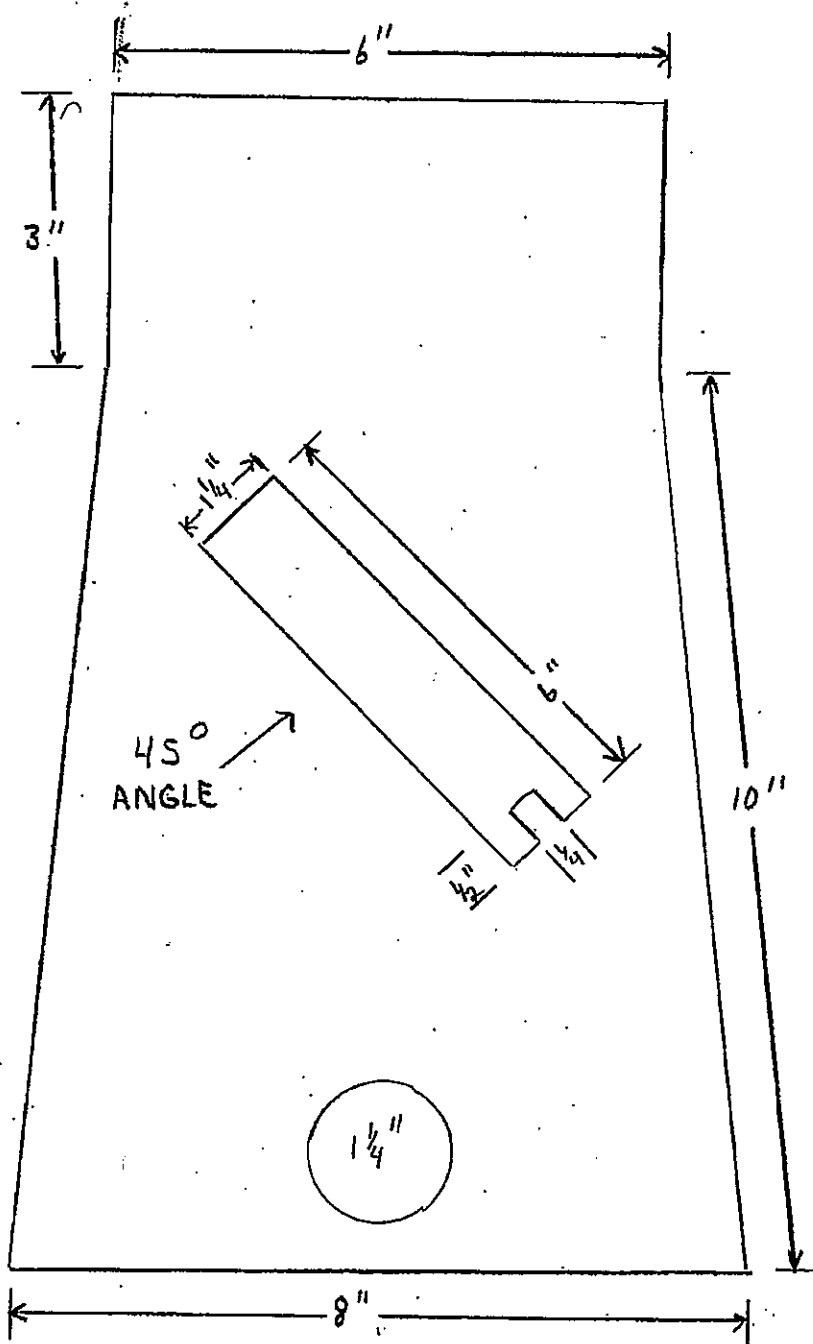
Company: _____

Signature: _____

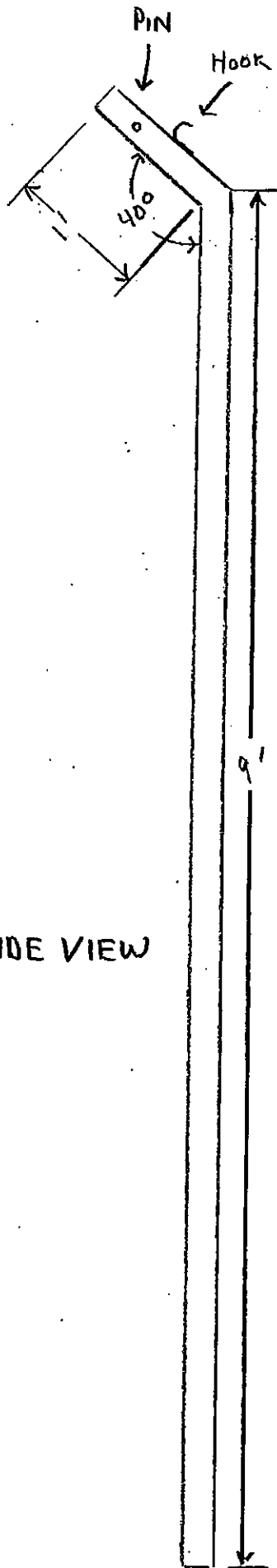
Printed Name: _____

Title: _____

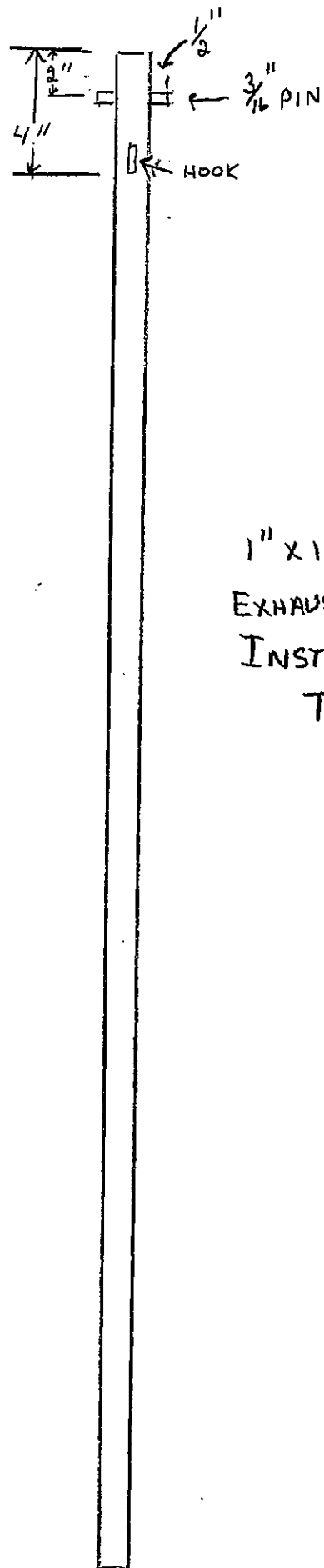
Date: _____



EXHAUST HOSE
ADAPTOR



SIDE VIEW



1" x 10'
EXHAUST HOSE
INSTALLATION
TOOL