

Capital Area Transportation Authority



4615 Tranter Street  
Lansing, MI 48910

**REQUEST FOR QUOTE**  
**LOT LIGHT BASE REPLACEMENTS**  
**RFQ 2019-503**

<b>1. SOLICITATION No:</b> RFQ 2019-503	<b>2. ISSUE DATE:</b> May 1, 2019
---	-----------------------------------

<b>3. FOR INFORMATION CONTACT</b> <b>NAME:</b> Ashlee Boss <b>E-MAIL:</b> aboss@cata.org	<b>PHONE:</b> 517.394.1100 ext. 2532
--	--------------------------------------

**4. DESCRIPTION:**

The Capital Area Transportation Authority ("CATA") in Lansing, Michigan, is requesting pricing for **LOT LIGHT BASE REPLACEMENT** in accordance with the Scope of Work as described in Exhibit A.

Service is requested at the following location:  
CATA Corporate Office, 4615 Tranter Street, Lansing, MI 48910

**PRE-BID MEETING / SITE VISIT.** A Pre-Bid Meeting / Site Visit has been scheduled for **Tuesday, May 7<sup>th</sup>, 2019 beginning at 11:00 a.m.** This will be held at the CATA Administrative facility (4615 Tranter Street, Lansing, MI 48910). A CATA employee will escort you during this site visit. A sign-in sheet is required. Please check in at the front desk upon your arrival at the Tranter Street facility. Please note that attendance at the pre-bid meeting and/or the site visit is NOT mandatory.

**ALL QUESTIONS MUST BE SUBMITTED VIA EMAIL TO:** Ashlee Boss ([aboss@cata.org](mailto:aboss@cata.org))

Quotes may be submitted via email, hand-delivery or by a recognized national courier to:  
Capital Area Transportation Authority  
Attn: Ashlee Boss, Procurement Specialist  
4615 Tranter Street  
Lansing, Michigan 48910

**5. QUOTES DUE By: WEDNESDAY, May 15, 2019 at 2:00 P.M. Eastern Time**

**6. FIRM OFFER PERIOD:** Offers shall remain firm for a period of **120** calendar days from the date specified above or as amended.

**7.** If this Quote is accepted within the period specified above, Bidder agrees to fully provide the goods and/or services covered by this solicitation at the prices and timelines specified in the solicitation.

**8. The following Exhibits, if indicated, are included in this solicitation**

<b>X</b>	EXHIBIT A – Scope of Work	<b>X</b>	EXHIBIT B – Pricing Schedule	<b>X</b>	EXHIBIT C – Submittal Checklist
<b>X</b>	EXHIBIT D – Iran Economic Sanctions Act Certificate	<b>X</b>	EXHIBIT E – CATA Terms & Conditions	<b>X</b>	EXHIBIT F – Bidder's Offer & Guarantees
<b>X</b>	EXHIBIT G – Debarment & Suspension	<b>X</b>	EXHIBIT H – Wage Determination		

---

## EXHIBIT A SCOPE OF WORK

---

### 1. Objectives

The specific objectives for this Project are as follows:

- a) Secure a contract for lot light base replacements at Capital Area Transportation Authority ("CATA") Tranter Street facility.

### 2. General Provisions

- a) The contractor shall furnish all labor, tools and materials necessary for the lot light base replacement as listed in this Scope of Work.
- b) The Contractor shall provide the Project Manager with a work schedule.
- c) The Contractor assumes full responsibility for protection and safekeeping of materials and equipment on-site.
- d) All work must conform to all state and local construction regulations. The contractor will be responsible for obtaining and paying for all required permits. The contractor will be responsible for coordinating and scheduling all work with CATA Staff, Miss Dig and local municipalities and jurisdictions.
- e) The Contractor will notify the CATA Project Manager of any findings during the project and submit a cost proposal for any additional work required. No additional work shall commence until approved by the Project Manager.
- f) The Contractor will be responsible to clean up at the end of each work day.

### 3. Service Period

CATA intends to award a firm, fixed price contract.

### 4. Scope of Work

The Capital Area Transportation Authority ("CATA") is requesting quotations from vendors for the rehabilitation of three (3) lot light bases located in the employee parking lot at 4615 Tranter St., Lansing, MI 48910. (Tranter Street Facility)

- a) Contractor to disconnect power and remove the poles. Poles may be stored at the north end of parking lot which CATA will cone off. Contractor is responsible for coning off the work area around each light pole base.
- b) Contractor to cut surrounding asphalt from the three (3) lot light bases. Contract is responsible for removing and disposing of existing materials, offsite.
- c) Site prep to spec. (*See Attachment A*)
- d) Contractor to provide and install three (3) lot light base's size and structure equivalent to existing base's being removed, including all necessary conduits. Drawing /Diagram is provided. (*See Attachment A*)
- e) The three (3) new concrete base locations are to be painted with safety yellow exterior epoxy.
- f) Contractor to re-install three (3) lot light poles and connect. Contractor must test operation on all three (3) lot light poles.
- g) Contractor to re-install new asphalt to match existing asphalt and must be sloped in accordance with Attachment A from the new bases. Soil should be prepped in accordance with the attached spec.

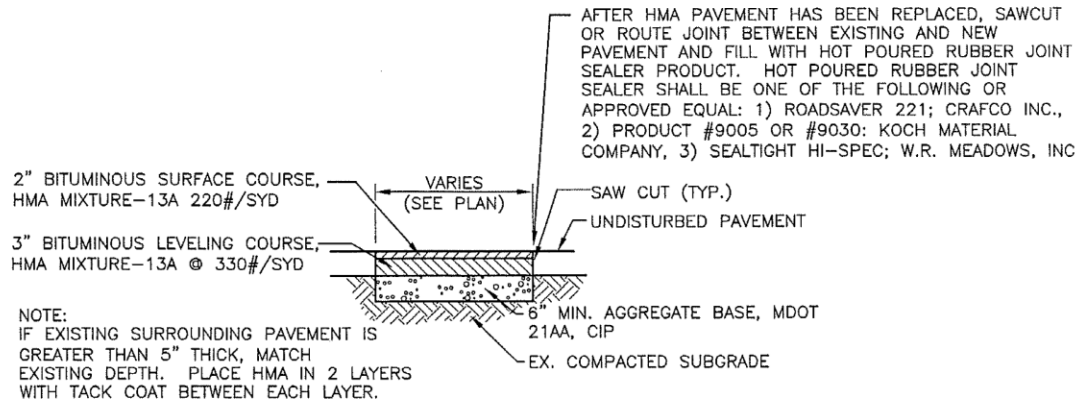
- h) Contractor to pull all necessary permits.
- i) See site map for pole base locations. (*See Attachment B*)
- j) See 'Pole Base Detail' for specs. (*See Attachment A*)
- k) All soils removed should be replaced with 21 AA gravel and compacted to 95% minimum.

Payment shall be made as follows; 75% upon completion of the three (3) lot light bases; remaining 25% will be paid upon receipt of certified payroll records (for prevailing wage), providing the records meet CATA's requirements.

CATA requires the work to be completed on or before, Friday, June 21, 2019 @ 5:00 P.M. Eastern Time.

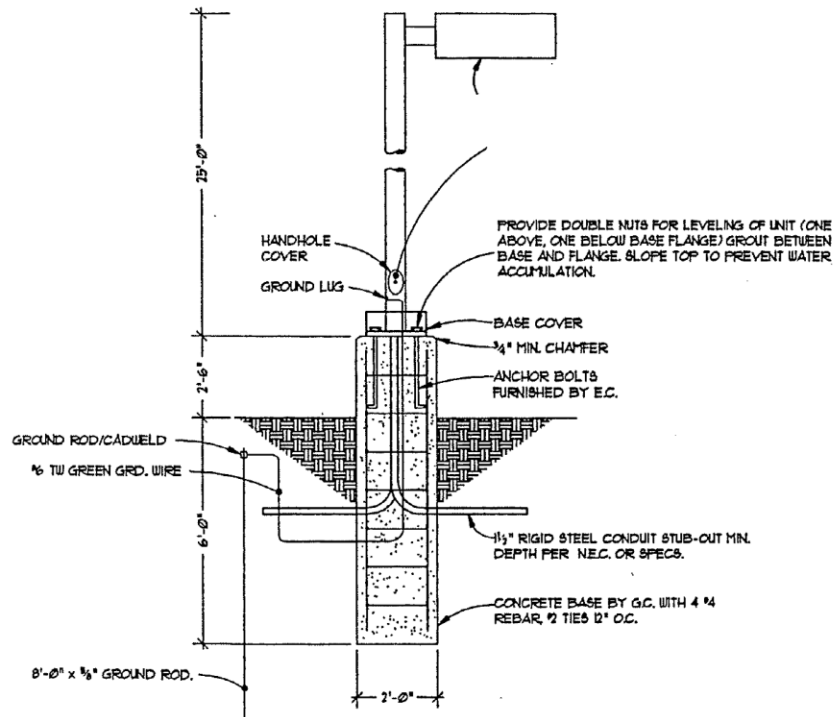
**END OF THIS SECTION**

### ATTACHMENT A



### ASPHALT PAVEMENT REPAIR DETAIL

SCALE: N.T.S.

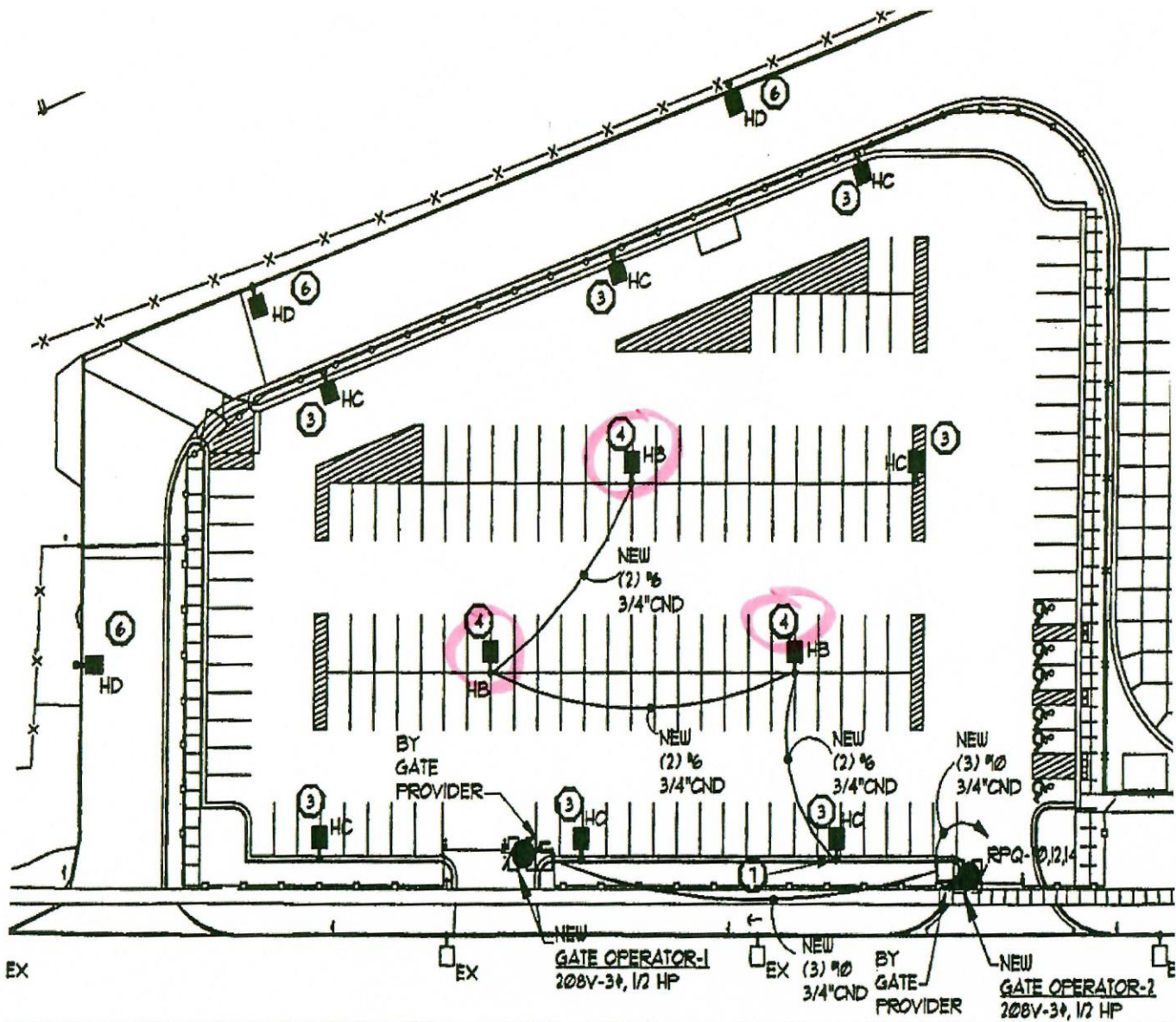


### POLE BASE DETAIL

SCALE: N.T.S.

### ATTACHMENT B

### SITE MAP



**EXHIBIT B  
PRICING SCHEDULE**

<b>DESCRIPTION</b>	<b>Unit Price</b>	<b>Quantity</b>	<b>Total</b>
Lot Light Base Replacement	\$	3	

CATA requires the work to be completed on or before, Friday, June 21, 2019 @ 5:00 P.M. Eastern Time.

Bidder: \_\_\_\_\_

Signature: \_\_\_\_\_

Printed Name: \_\_\_\_\_

Title: \_\_\_\_\_

Date: \_\_\_\_\_

**THIS FORM MUST BE COMPLETED AND RETURNED WITH YOUR OFFER**

**EXHIBIT C  
SUBMITTAL CHECKLIST**

Deadline: May 15, 2019 at 2:00 p.m. Eastern Time *(A quote will be automatically rejected if it is received after the stated deadline.)*

**All forms/certifications below MUST be completed and included when you submit you quote package.**

- Signed and completed Pricing Schedule Form (Page 5)
- Signed and completed Submittal Checklist Form (Page 6)
- Signed Iran Economic Sanctions Act Certificate (Page 7)
- Signed and completed Offer and Guarantees (Page 25)
- Signed Certification of Primary Contractor Regarding Debarment & Suspension (Page 26)
- Signed and completed Amendment(s) (as issued)

**SUBMITTED QUOTE CONTAINS ALL COMPLETED FORMS/CERTIFICATIONS AS LISTED ABOVE**

Bidder: \_\_\_\_\_

Signature: \_\_\_\_\_

Printed Name: \_\_\_\_\_

Title: \_\_\_\_\_

Date: \_\_\_\_\_

**THIS FORM MUST BE COMPLETED AND RETURNED WITH YOUR OFFER**

---

**EXHIBIT D**  
**IRAN ECONOMIC SANCTIONS ACT CERTIFICATE**

---

In accordance with the Iran Economic Sanctions Act, Michigan 2012 PA 517, effective April 1, 2013, (MCL 129.311, *et seq.*), the undersigned certifies in support of its bid or proposal that it is not an Iran linked business as such is defined in the Act.

Bidder: \_\_\_\_\_

Signature: \_\_\_\_\_

Printed Name: \_\_\_\_\_

Title: \_\_\_\_\_

Date: \_\_\_\_\_

**THIS FORM MUST BE COMPLETED AND RETURNED WITH YOUR OFFER**

---

**EXHIBIT E**  
**TERMS and CONDITIONS**

---

CAPITAL AREA TRANSPORTATION AUTHORITY  
**TERMS AND CONDITIONS OF PROCUREMENT**

**A. THE FOLLOWING TERMS AND CONDITIONS WILL BE A PART OF THE CONTRACT AWARDED.**

1. **CHANGES.** CATA, at any time, by a written order, and without notice to the sureties, may make changes within the general scope of this contract, in (a) drawings, designs or specifications where the supplies to be furnished are specifically manufactured for CATA in accordance therewith; (b) method of shipment or packing; and (c) place of delivery. If any such change causes an increase or decrease in the cost of, or the time required for performance of this contract, whether changed or not changed by such order, an equitable adjustment shall be made by written modification of the contract. Any claim by the Contractor for adjustment under this clause must be asserted within thirty (30) days from the date of receipt by the Contractor of the notification of change; provided that CATA, if it decides that the facts justify the action, may receive and act upon any such claim if asserted prior to dispute concerning a question of fact within the meaning of the clause of this contract entitled "Disputes." However, nothing in this clause shall excuse the Contractor from proceeding with the contract as changed.
2. **TERMINATION FOR DEFAULT.** CATA, by written notice, may terminate the contract awarded on the basis of this proposal, in whole or in part, for failure of the Contractor to perform any of the provisions hereof. In such event, the Contractor shall be liable for damages, including the excess cost of reprocurring similar supplies or services, provided, that if (a) it is determined for any reason that the contract was not in default or, (b) the Contractor's failure to perform is without his control, fault or negligence, the termination shall be deemed to be a termination for convenience under the following Paragraph 3.
3. **TERMINATION FOR CONVENIENCE.** CATA, by written notice, may terminate the contract, awarded on the basis of this proposal, in whole or in part, when it determines it is in the best interest of CATA. If this contract is for supplies and is so terminated, the Contractor shall be compensated in accordance with its auditable cost incurred at the time of notification of termination. To the extent that the contract is for services and is so terminated, CATA shall be liable only for payment in accordance with the payment provisions of the contract for services rendered to the effective date of termination.
4. **ADDITIONAL INFORMATION.** The Contractor shall promptly furnish any additional information requested by CATA relative to the equipment it proposes.
5. **SUPPLIER RESPONSIBILITY.** No advantage shall be taken by the Contractor or its Subcontractor in the omission of any part or detail which goes to make the equipment complete and operable for use by CATA. In case of any variance, this specification shall overrule Contractor or Subcontractor specifications. The Contractor shall assume responsibility for all materials used whether the same is manufactured by the Contractor or purchased ready made from a source outside Contractor's company. In the case of the replacement of a Subcontractor, the Contractor must, within five (5) working days, notify CATA in writing of the replacement and provide name, address, telephone number, and the type of service.
6. **DELIVERY.** Service and/or equipment will be delivered to Capital Area Transportation Authority, 4615 Tranter Street, Lansing, Michigan 48910. The Authority will assume custody of all property at one of its other locations, if so directed, in writing by CATA. Invoices shall be furnished with the delivery of each item. CATA reserves the right to inspect all deliveries or services before acceptance.
7. **BREACH OF CONTRACT.** If the Contractor shall fail, refuse or neglect to comply with the terms of these contract conditions, such failure shall be deemed a total breach of contract. Contractor shall be subject to all legal remedies that CATA may have and CATA may recover, in addition to any damages or costs relating to failure to comply, its reasonable attorneys' fees resulting from Contractor's breach.

8. DISPUTES (AFTER BID AWARD). Except as otherwise provided in the contract, any dispute concerning a question of fact arising under the contract which is not disposed of by agreement between CATA and Contractor shall be decided by CATA's Program Manager in writing, with a copy mailed or otherwise furnished to the Contractor. The decision of CATA shall be final and conclusive unless within ten (10) days from the date of receipt of such copy, the Contractor mails or otherwise furnishes to CATA a written appeal addressed to CATA's Chief Executive Officer for the determination of such appeal, which shall be final and conclusive, unless determined by a court of competent jurisdiction to have been fraudulent or capricious, or arbitrary, or so grossly erroneous as necessarily to imply bad faith, or not supported by substantial evidence. In connection with any appeal proceeding under this clause, the Contractor shall be afforded an opportunity to be heard and to offer evidence in support of its appeal. Pending a final decision of the dispute, the Contractor shall proceed diligently with the performance of the contract and in accordance with CATA's decision.
9. DELIVERY EXTENSION AND DELAYS. CATA reserves the right to extend, postpone or reschedule delivery in case the delivery of service equipment, under this contract, shall be necessarily delayed because of strike, injunction, civil disturbance, government controls, or by reason of any cause or circumstance beyond the control of the Contractor, as detailed in writing by the Contractor, the time of completion or a delivery shall be extended by a number of days to be determined in each instance by CATA.
10. INSTALLATION. If specified, the Contractor shall install and place in operation, subject to approval by CATA, the equipment at the Contractor's expense within thirty (30) days from issuance of a notice to install issued by CATA.
11. INSTALLATION EXTENSION AND DELAYS. CATA reserves the right to extend, postpone, or reschedule installation in case the installation of equipment under this contract shall be necessarily delayed because of strike, injunction, civil disturbance, government controls, or by reason or cause or circumstances beyond the control of the Contractor. The time of completion or installation shall be extended by a number of days to be determined in each instance by CATA.
12. ASSEMBLY. If required, the Contractor shall assemble the equipment at its expense prior to installation.
13. ACCESSORIES. The Contractor shall furnish, without additional cost, all accessories required to permit CATA to operate any equipment being provided.
14. TRAINING. The Contractor, without additional cost, shall properly train CATA personnel in the operation and maintenance of the equipment provided.
15. SERVICE MANUAL AND WIRING SCHEMATIC. If specified, the Contractor will provide at least one copy of a service manual and at least one copy of a wiring schematic for individual components and other schematics and drawings.
16. WARRANTY. The Contractor shall describe its policy or warranty(s) both on workmanship and material as applying to the equipment, along with the method or adjustment, and shall be further subject to warranty requirements of CATA as set forth in the following Paragraph 17.
17. CATA WARRANTY. The Contractor agrees that the supplies or services furnished under this contract shall be covered by the most favorable warranties the Contractor gives any customer for such equipment and that the rights and remedies provided herein are in addition to and do not limit any rights afforded to CATA by any other clause of this contract. The Contractor shall state the warranty and supply with its bid.
18. INSURANCE. The Contractor shall place and maintain with responsible insurance carriers the following insurance. The Contractor shall deliver to CATA, upon request, certificates of insurance which shall provide thirty (30) days' written notice to be given to CATA in the event of cancellation. Contractor shall require all Subcontractors to maintain adequate insurance coverage.
- (a) Workers' Compensation and Employer's Liability Insurance.
- (1) Workers' Compensation in compliance with the applicable state and federal laws.
- (2) Employer's Liability. Limit \$1,000,000.

- (b) Commercial General Liability Insurance, including Professional Liability, Blanket contractual, XCU Hazards, Broad Form Property Damage, Completed Operations, and Independent Contractor's Liability, all applicable to Personal Injury, Bodily Injury and Property Damage to a combined single limit of \$1,000,000 each occurrence/claim, subject to a \$2,000,000 annual aggregate for Professional Liability, Completed Operations and Personal Injury other than Bodily Injury.
- (c) Automobile Liability Insurance, including owned, hired and non-owned automobiles, Bodily Injury and Property Damage, to a combined single limit of \$1,000,000 each occurrence.

19. INDEMNIFICATION. In addition to the protection afforded by any policy of insurance, the Contractor agrees to indemnify and save harmless CATA, the Michigan Department of Transportation ("MDOT"), the Federal Transit Administration ("FTA"), and all officers, agents, and employees thereof:

- (a) From any and all claims by persons, firms, or corporations for labor, materials, supplies, or services provided to the Contractor in connection with the Contractor's performance of the contract; and
- (b) From any and all claims for injuries to or death of any and all persons, for loss of or damage to property, for environmental damage, degradation and response, and cleanup costs, and for attorney fees and related costs arising out of, under, or by reason of the Contractor's negligent performance of the contract.

CATA will not be subject to any obligations or liabilities by Subcontractors of the Contractor or their Subcontractors or any other person not a party to this contract without its specific consent and notwithstanding its concurrence in or approval of the award of any contract or subcontract or the solicitation thereof.

20. ACCEPTANCE OF MATERIAL - NO RELEASE. Unless CATA otherwise agrees in writing, acceptance of any portion of the material prior to final acceptance shall not release the Contractor from liability for faulty workmanship or materials or for failure to fully comply with all of the terms of this contract. CATA reserves the right and shall be at liberty to inspect all materials and workmanship at any time during the manufacturing process, and shall have the right to reject all materials and workmanship which do not conform with the contract requirements and specifications; provided, however, that CATA is under no duty to make such inspection and no inspection so made shall relieve Contractor from any obligation to furnish materials and workmanship in accordance with the contract requirements and specifications.

21. FINAL ACCEPTANCE. Upon final acceptance by CATA of all work to be performed by the Contractor, CATA will so notify the Contractor in writing. The date of final acceptance shall commence the warranty period.

22. LIQUIDATED DAMAGES. If the Contractor fails to deliver the requirements by the date as set forth in the bid documents scheduled for delivery, CATA shall be paid damages for each consecutive calendar day thereafter until the goods are delivered, unless a completion date is extended by CATA in writing. Inasmuch as the amount of such damages will be extremely difficult to ascertain, the Contractor agrees to compensate CATA the sum of \$ Not Applicable per day, which sum is hereby agreed upon, fixed and determined by the parties hereto as the liquidated damages that CATA will suffer by reason of said delay and default and not as a penalty; and CATA shall have the right to deduct such sum from any amounts which may otherwise become due under contract.

23. NO ASSIGNMENT OF CONTRACT. Contractor may not assign or transfer any interest in the contract without the prior written consent of CATA.

24. DEFECTIVE WORKMANSHIP AND MATERIAL. When and as often as CATA determines that the work done or being done under the contract or the kind of quality or materials supplied in connection therewith are not fully and completely in accordance with any requirement of the contract documents, it may give notice of such noncompliance to the Contractor in writing and the Contractor shall immediately upon receipt of such notice do all things required to remedy such noncompliance without additional cost to CATA. If the Contractor fails to comply with such written notice, then CATA, upon written notice to the

Contractor, shall deduct the cost of repair, replacement or correction of defective or damaged work from the compensation due or to become due to the Contractor.

25. WAIVER OF BREACH. The waiver by either party hereto or any breach of any provision of this contract by the other party shall not operate or be construed as a waiver of any subsequent breach of the same or any other provision of this contract by either party hereto.

26. OWNERSHIP OF DOCUMENTS. All original documents, calculations, and work product produced by CONTRACTOR, whether produced on paper or electronic media or otherwise in performance of this Agreement, shall be the property of CATA. CONTRACTOR shall have the right to retain a copy of such documents, calculations, and work product. CONTRACTOR shall make available to CATA copies of all CONTRACTOR correspondence, notes, and other papers relating to the work, upon request of CATA. All works of original authorship created in the scope of this Agreement are "works made for hire", as that term is used in connection with the U.S. Copyright Act. To the extent that by operation of law CONTRACTOR retains any intellectual property rights to any work product, CONTRACTOR hereby irrevocably assigns and licenses to CATA all right, title, and interest in such work product, including copyrights and patents, and agrees to execute such assignments and licenses as may be required in the opinion of CATA's legal counsel to confirm this provision. The work product produced by CONTRACTOR in the performance of services under this Agreement is intended for use by CATA solely for the purpose intended. Any use or reuse of such work product by CATA for any purpose other than its intended purpose shall be at the sole risk of CATA and without any liability or responsibility of CONTRACTOR. To the extent that the work product produced by CONTRACTOR contains standard design or construction details or other standardized material previously developed by CONTRACTOR in its professional architectural, engineering, and planning practices, then CONTRACTOR shall have the right to reuse any such material on other projects for other clients or persons without the prior knowledge or permission of CATA and without the payment of any compensation to CATA, provided that the reuse or continued use of such material contains no CATA identifying information or confidential information.

27. EXCUSES FOR FAILURE TO PERFORM OR DELAYS. The Contractor will not be in default by reason of any failure in the performance of this contract, if such failure arises out of causes beyond the control and without the fault or negligence of Contractor. Such causes may include, but are not limited to, acts of God or the public enemy, acts of the government either in its sovereign or contractual capacity, fires, floods, and strikes. But in every case, a failure to perform must be beyond the control and without the fault or negligence of the Contractor or its Subcontractors. An excusable delay will permit the Contractor an extension of time for such reasonable period as may be mutually agreed upon between the parties.

28. COMPUTATION OF TIME. In computing a period of time prescribed by these conditions, the following rules apply:

- (a) "Day" means days of the week (e.g., Monday through Friday), not business days.
- (b) The day of the act or event after which the designated period of time begins is not included.
- (c) The last day of the period is included, unless it is a Saturday, Sunday, or legal holiday. In that event, the period runs until the end of the next day that is not a Saturday, Sunday or legal holiday.

29. NOTICE. All notices and other communications required under this Contract shall be given in writing, signed by an authorized representative, and be personally delivered or delivered by overnight courier, or certified mail (return receipt requested) to the addresses set forth below:

To CATA: Chief Executive Officer  
Capital Area Transportation Authority  
4615 Tranter Street  
Lansing, MI 48910

To Contractor: \_\_\_\_\_  
\_\_\_\_\_

With a copy to:

\_\_\_\_\_

\_\_\_\_\_

\_\_\_\_\_

\_\_\_\_\_

\_\_\_\_\_

30. JURISDICTION. This Contract will be governed by the internal laws of the State of Michigan without reference to its choice of law rules. Exclusive jurisdiction and venue of any suit, action or claim relating to this contract will be in the Ingham County Circuit Court or the Federal District Court for the Western District of Michigan.

31. This contract constitutes the entire contract between the parties and supersedes all negotiations, commitments, and previous contracts and may be modified only by a further written contract which is executed by a duly authorized officer of each of the parties.

32. COST COMPUTATION. The Federal Acquisition Regulation, 48 CFR, Chapter 1, Part 31.2, shall be used, in all instances, to determine the amount of costs incurred by Contractor that CATA shall be required to pay, or reimburse, to Contractor, including, without limitation, where this Agreement requires CATA to pay Contractor’s costs as part of the contract price, where the contract price is adjusted resulting from changes to the requirements of Agreement, and when calculating the amount due Contractor pursuant to Termination for Convenience clause.

33. TRAVEL EXPENSES. CATA shall not reimburse Contractor for travel costs, including accommodations, meals, transportation and fuel costs, unless the travel activity and the travel costs have been approved in advance by an authorized representative of CATA. All travel costs to be paid by CATA shall not exceed amounts determined in conformance with the Federal Acquisition Regulation, 48 CFR Section 31.205-46, Travel Costs.

**B. TERMS INCLUDED IN CONTRACTS FUNDED IN WHOLE OR PART BY FTA, MDOT, OR OTHER GOVERNMENTAL AGENCY.**

**1. NONDISCRIMINATION.**

(a) Compliance with Regulations. Contractor shall comply with Federal Regulations relative to nondiscrimination of the Department of Transportation, Title 49, Code of Federal Regulations, Part 21, and Title 23, Code of Federal Regulations, Part 710.405(b), as they may be amended from time to time (hereinafter referred to as the Regulations), and with Executive Order 11246 titled Equal Employment opportunity, as amended by Executive Order 11375, and as supplemented by Department of Labor Regulation (41 CFR 60) which are herein incorporated by reference and made a part of this contract. Contractor agrees that it will comply with the requirements of U.S. Equal Employment Opportunity Commission, "Regulations to Implement the Equal Employment Provisions of the Americans with Disabilities Act," 29 CFR Part 1630, pertaining to employment of persons with disabilities. In addition, Contractor agrees to comply with any implementing requirements FTA may issue.

(b) Nondiscrimination. With regard to the work performed by it during this contract, Contractor shall not discriminate on the grounds of race, color, sex, disability, religion, age, or national origin against any employee or applicant for employment or in the selection and retention of Subcontractors, including procurement of materials and leases of equipment. Contractor shall not participate either directly or indirectly in discrimination prohibited by Section 21.5 and Part 710.405(b) of the Regulations, including employment practices when the contract covers a program set forth in Appendix B of the Regulations.

(c) In connection with the performance of services under this contract, Contractor agrees to comply with the State of Michigan provisions for "prohibition of discrimination in state contracts" as set forth in Appendix A dated March 19, 1998, a copy of which is attached hereto and made a part hereof.

- (d) ADA Access. All work performed and all services provided pursuant to this contract shall be in compliance with Federal policy to ensure that elderly individuals and individuals with disabilities have an equal right to use of public transportation services and facilities. To the extent this Contract requires planning and design of services and facilities, special efforts shall be made to implement the transportation and accessibility rights of elderly individuals and individuals with disabilities. The work performed and services provided in this Contract shall be in compliance with all State and Federal statutes and laws ensuring equal access of transportation services and facilities for the elderly and individuals with disabilities, including 49 USC § 5301(d), § 504 of the Rehabilitation Act of 1973, as amended, 29 USC § 794, The Americans with Disabilities Act of 1990, as amended, 42 USC § 12101 et seq, and the Architectural Barriers Act of 1968, as amended, 42 USC § 4151 et seq, and any applicable implementing Federal regulations or directives as they may from time to time be promulgated or amended.
- (e) This provision B.1 (a)-(e) will be included in all subcontracts relating to this contract. Further, each contract which Contractor signs with a Subcontractor must include the following assurance:

The Contractor, Subrecipient, or Subcontractor shall not discriminate on the basis of race, color, national origin, creed, disability, or sex in the performance of this contract. The Contractor shall carry out applicable requirements of 49 CFR Part 26 in the award and administration of US DOT-assisted contracts. Failure by the Contractor to carry out these requirements is a material breach of this contract, which may result in the termination of this contract or such other remedy as the recipient deems appropriate.

## 2. DBE REQUIREMENTS.

- (a) Contractor will carry out the applicable requirements of the Michigan Department of Transportation's Disadvantaged Business Enterprise ("DBE") program and 49 CFR 26, including, but not limited to those requirements set forth in Appendix B, attached hereto and made a part hereof. Failure by the Contractor to carry out these requirements is a material breach of this Contract, which may result in the termination of this Contract or such other remedy as CATA deems appropriate, which may include, but is not limited to, withholding monthly progress payments, assessing sanctions, liquidated damages and/or disqualifying the Contractor from future bidding as non-responsible.
- (b) Contractor shall pay its subcontractors performing work related to this contract for satisfactory performance of that work no later than thirty (30) days after the Contractor's receipt of payment for that work from CATA. In addition, Contractor shall return any retainage payments to those subcontractors within thirty (30) days after the subcontractor's work related to this contract is satisfactorily completed. Contractor must promptly notify CATA whenever a DBE subcontractor performing work related to this contract is terminated or fails to complete the work, and must make good faith efforts to engage another DBE subcontractor to perform at least the same amount of work. The Contractor may not terminate any DBE subcontractor and perform that work through its own forces or those of an affiliate without prior written consent of CATA.

3. CONTINGENT FEES. The Contractor warrants that it has not employed or retained any company or person, other than a bonafide employee working solely for the Contractor, to solicit or secure this contract and that it has not paid or agreed to pay any company or person, other than a bonafide employee working solely for the Contractor, any fee, commission, percentage, brokerage fee, gifts or any other consideration, contingent upon or resulting from the award or making of this contract. For breach or violation of this warranty, CATA shall have the right to annul this contract without liability.

4. RECORDS/AUDITS. The Contractor shall maintain and retain, and shall require all its subcontractors to maintain and retain, complete and accurate books, documents, papers, accounting records, contracts, and other evidence with respect to allowable costs incurred and manpower expended under this contract. All such records shall be maintained on the basis of generally-accepted accounting principles and shall be clearly identified and readily accessible. The Contractor shall provide during regular business hours to the U.S. Secretary of Transportation, the FTA Administrator, the Comptroller

General of the United States, and CATA, or their duly authorized representatives, access to such data and records, and the right to inspect and audit all data and records of the Contractor relating to its performance under the contract, and to make transcripts therefrom as necessary. Contractor shall retain all work data, documents, records, accounts and reports related to this contract for a period of three (3) years from the date of final payment under this contract or from expiration or other termination of this contract. In the event of a dispute as to allowable costs or any other issue under this contract, Contractor will thereafter continue to maintain such records until the dispute has been resolved.

5. CONFLICT OF INTEREST. The Contractor certifies that, to the best of its knowledge, no CATA employee or office of any public agency interested in this contract has any pecuniary interest in the business of the Contractor and that no person associated with the Contractor has any interest that would conflict in any manner or degree with the performance of this contract.
6. INTEREST OF MEMBER OF CONGRESS OR DELEGATES TO CONGRESS. No member of Congress or delegates to the Congress of the United States shall be admitted to any share or part of the contract, or to any benefit arising therefrom. This shall not be construed to prevent any such person from owning stock in a publicly owned corporation.
7. DEBARMENT AND SUSPENSION. N/A
8. MDOT AND FTA TERMS. All contractual provisions that the Michigan Department of Transportation ("MDOT") or the Federal Transit Administration ("FTA"), by law or regulation, require to be included in contracts supported by state or federal financial assistance, including the requirements set forth in FTA Circular 4220.1F, as updated and amended, and the Master Agreement between CATA and FTA as it may be amended, are hereby incorporated by reference. FTA required terms and MDOT required terms shall be deemed to control in the event of a conflict with other provisions contained in this contract. Contractor shall not refuse to comply with any CATA request to conform this contract to include MDOT or FTA required contractual provisions. The Contractor shall not perform any act, fail to perform any act, or refuse to comply with any CATA requests which would cause CATA to be in violation of the FTA mandated contractual provisions.
9. COMPLIANCE WITH LAWS. The Contractor shall at all times observe and comply with all laws, ordinances, and regulations of the state, federal, local, and city government which may, in any manner, affect the performance of the contract.
10. CLEAN AIR. N/A.
11. BUY AMERICA PROVISIONS. N/A.
12. CERTIFICATION REGARDING LOBBYING. N/A
13. FEDERAL WAGE REQUIREMENTS FOR CONSTRUCTION CONTRACTS.
  - (a) This procurement is subject to the Davis-Bacon Act, 40 USC § 3141, *et seq*, and to the Copeland Anti-Kickback Act, 18 USC § 874, and to the regulations promulgated thereunder ("the Acts"). As required by federal regulations promulgated under the Acts, the following provisions set forth in Paragraph 13(b) and (c) are incorporated into the Agreement, with the understanding that the term "contracting officer" refers to the appointed representative of CATA.
  - (b) **Davis-Bacon and Copeland Anti-Kickback Acts**
    - (1) **Minimum wages**
      - (i) All laborers and mechanics employed or working under the site of the work (or under the United States Housing Act of 1937 or under the Housing Act of 1949 in the construction or development of the project), will be paid unconditionally and not less often than once a week, and without subsequent deduction or rebate on any account (except such payroll deductions as are permitted by regulations issued by the Secretary of Labor under the Copeland Act (29 CFR part 3)), the full amount of wages and bona fide fringe benefits (or cash equivalents

thereof) due at time of payment computed at rates not less than those contained in the wage determination of the Secretary of Labor which is attached hereto and made a part hereof, regardless of any contractual relationship which may be alleged to exist between the Contractor and such laborers and mechanics.

Contributions made or costs reasonably anticipated for bona fide fringe benefits under section 1(b)(2) of the Davis-Bacon Act on behalf of laborers or mechanics are considered wages paid to such laborers or mechanics, subject to the provisions of paragraph (1)(iv) of this section; also, regular contributions made or costs incurred for more than a weekly period (but not less often than quarterly) under plans, funds, or programs which cover the particular weekly period, are deemed to be constructively made or incurred during such weekly period. Such laborers and mechanics shall be paid the appropriate wage rate and fringe benefits on the wage determination for the classification of work actually performed, without regard to skill, except as provided in 29 CFR Part 5.5(a)(4). Laborers or mechanics performing work in more than one classification may be compensated at the rate specified for each classification for the time actually worked therein: Provided, That the employer's payroll records accurately set forth the time spent in each classification in which work is performed. The wage determination (including any additional classifications and wage rates conformed under paragraph (1)(ii) of this section) and the Davis-Bacon poster (WH-1321) shall be posted at all times by the Contractor and its subcontractors at the site of the work in a prominent and accessible place where it can be easily seen by the workers.

(ii)(A) The contracting officer shall require that any class of laborers or mechanics, including helpers, which is not listed in the wage determination and which is to be employed under the contract shall be classified in conformance with the wage determination. The contracting officer shall approve an additional classification and wage rate and fringe benefits therefore only when the following criteria have been met:

(1) Except with respect to helpers as defined as 29 CFR 5.2(n)(4), the work to be performed by the classification requested is not performed by a classification in the wage determination; and

(2) The classification is utilized in the area by the construction industry; and

(3) The proposed wage rate, including any bona fide fringe benefits, bears a reasonable relationship to the wage rates contained in the wage determination; and

(4) With respect to helpers as defined in 29 CFR 5.2(n)(4), such a classification prevails in the area in which the work is performed.

(B) If the Contractor and the laborers and mechanics to be employed in the classification (if known), or their representatives, and the contracting officer agree on the classification and wage rate (including the amount designated for fringe benefits where appropriate), a report of the action taken shall be sent by the contracting officer to the Administrator of the Wage and Hour Division, Employment Standards Administration, U.S. Department of Labor, Washington, DC 20210. The Administrator, or an authorized representative, will approve, modify, or disapprove every additional classification action within 30 days of receipt and so advise the contracting officer or will notify the contracting officer within the 30-day period that additional time is necessary.

(C) In the event the Contractor, the laborers or mechanics to be employed in the classification or their representatives, and the contracting officer do not agree on the proposed classification and wage rate (including the amount designated for fringe benefits, where appropriate), the contracting officer shall refer the questions, including the views of all interested parties and the recommendation of the contracting officer, to the Administrator for determination. The Administrator, or an authorized representative, will issue a determination within 30 days of receipt and so advise the contracting officer or will notify the contracting officer within the 30-day period that additional time is necessary.

- (D) The wage rate (including fringe benefits where appropriate) determined pursuant to paragraphs (a)(1)(ii) (B) or (C) of this section, shall be paid to all workers performing work in the classification under this contract from the first day on which work is performed in the classification.
- (iii) Whenever the minimum wage rate prescribed in the contract for a class of laborers or mechanics includes a fringe benefit which is not expressed as an hourly rate, the Contractor shall either pay the benefit as stated in the wage determination or shall pay another bona fide fringe benefit or an hourly cash equivalent thereof.
- (iv) If the Contractor does not make payments to a trustee or other third person, the Contractor may consider as part of the wages of any laborer or mechanic the amount of any costs reasonably anticipated in providing bona fide fringe benefits under a plan or program, Provided, That the Secretary of Labor has found, upon the written request of the Contractor, that the applicable standards of the Davis-Bacon Act have been met. The Secretary of Labor may require the Contractor to set aside in a separate account assets for the meeting of obligations under the plan or program.
- (v) (A) The contracting officer shall require that any class of laborers or mechanics which is not listed in the wage determination and which is to be employed under the contract shall be classified in conformance with the wage determination. The contracting officer shall approve an additional classification and wage rate and fringe benefits therefore only when the following criteria have been met:
- (1) The work to be performed by the classification requested is not performed by a classification in the wage determination; and
  - (2) The classification is utilized in the area by the construction industry; and
  - (2) The proposed wage rate, including any bona fide fringe benefits, bears a reasonable relationship to the wage rates contained in the wage determination.
- (B) If the Contractor and the laborers and mechanics to be employed in the classification (if known), or their representatives, and the contracting officer agree on the classification and wage rate (including the amount designated for fringe benefits where appropriate), a report of the action taken shall be sent by the contracting officer to the Administrator of the Wage and Hour Division, Employment Standards Administration, Washington, DC 20210. The Administrator, or an authorized representative, will approve, modify, or disapprove every additional classification action within 30 days of receipt and so advise the contracting officer or will notify the contracting officer within the 30-day period that additional time is necessary.
- (C) In the event the Contractor, the laborers or mechanics to be employed in the classification or their representatives, and the contracting officer do not agree on the proposed classification and wage rate (including the amount designated for fringe benefits, where appropriate), the contracting officer shall refer the questions, including the views of all interested parties and the recommendation of the contracting officer, to the Administrator for determination. The Administrator, or an authorized representative, will issue a determination with 30 days of receipt and so advise the contracting officer or will notify the contracting officer within the 30-day period that additional time is necessary.
- (D) The wage rate (including fringe benefits where appropriate) determined pursuant to paragraphs (a)(1)(v) (B) or (C) of this section, shall be paid to all workers performing work in the classification under this contract from the first day on which work is performed in the classification.
- (2) **Withholding** - Owner shall upon its own action or upon written request of an authorized representative of the Department of Labor withhold or cause to be withheld from the Contractor under this contract or any other Federal contract with the same prime contractor, or any other federally-assisted contract subject to Davis-Bacon prevailing wage requirements, which is held by the same prime contractor, so much of the accrued payments or advances as may be considered necessary to

pay laborers and mechanics, including apprentices, trainees, and helpers, employed by the Contractor or any subcontractor the full amount of wages required by the contract. In the event of failure to pay any laborer or mechanic, including any apprentice, trainee, or helper, employed or working on the site of the work (or under the United States Housing Act of 1937 or under the Housing Act of 1949 in the construction or development of the project), all or part of the wages required by the contract, Owner may, after written notice to the Contractor, sponsor, applicant, or agency, take such action as may be necessary to cause the suspension of any further payment, advance, or guarantee of funds until such violations have ceased.

### (3) Payrolls and basic records

(i) Payrolls and basic records relating thereto shall be maintained by the Contractor during the course of the work and preserved for a period of three years thereafter for all laborers and mechanics working at the site of the work (or under the United States Housing Act of 1937, or under the Housing Act of 1949, in the construction or development of the project). Such records shall contain the name, address, and social security number of each such worker, his or her correct classification, hourly rates of wages paid (including rates of contributions or costs anticipated for bona fide fringe benefits or cash equivalents thereof of the types described in section 1(b)(2)(B) of the Davis-Bacon Act), daily and weekly number of hours worked, deductions made and actual wages paid. Whenever the Secretary of Labor has found under 29 CFR 5.5(a)(1)(iv) that the wages of any laborer or mechanic include the amount of any costs reasonably anticipated in providing benefits under a plan or program described in section 1(b)(2)(B) of the Davis-Bacon Act, the Contractor shall maintain records which show that the commitment to provide such benefits is enforceable, that the plan or program is financially responsible, and that the plan or program has been communicated in writing to the laborers or mechanics affected, and records which show the costs anticipated or the actual cost incurred in providing such benefits. Contractor's employing apprentices or trainees under approved programs shall maintain written evidence of the registration of apprenticeship programs and certification of trainee programs, the registration of the apprentices and trainees, and the ratios and wage rates prescribed in the applicable programs.

(ii) (A) The Contractor shall submit weekly for each week in which any contract work is performed a copy of all payrolls to Owner for transmission to the Federal Transit Administration. The payrolls submitted shall set out accurately and completely all of the information required to be maintained under section 5.5(a)(3)(i) of Regulations, 29 CFR part 5. This information may be submitted in any form desired. Optional Form WH-347 is available for this purpose and may be purchased from the Superintendent of Documents (Federal Stock Number 029-005-00014-1), U.S. Government Printing Office, Washington, DC 20402. The prime contractor is responsible for the submission of copies of payrolls by all subcontractors.

(B) Each payroll submitted shall be accompanied by a "Statement of Compliance," signed by the Contractor or subcontractor or his or her agent who pays or supervises the payment of the persons employed under the contract and shall certify the following:

(1) That the payroll for the payroll period contains the information required to be maintained under section 5.5(a)(3)(i) of Regulations, 29 CFR part 5 and that such information is correct and complete;

(2) That each laborer or mechanic (including each helper, apprentice, and trainee) employed on the contract during the payroll period has been paid the full weekly wages earned, without rebate, either directly or indirectly, and that no deductions have been made either directly or indirectly from the full wages earned, other than permissible deductions as set forth in Regulations, 29 CFR part 3;

(3) That each laborer or mechanic has been paid not less than the applicable wage rates and fringe benefits or cash equivalents for the classification of work performed, as specified in the applicable wage determination incorporated into the contract.

(C) The weekly submission of a properly executed certification set forth on the reverse side of Optional Form WH-347 shall satisfy the requirement for submission of the "Statement of Compliance" required by paragraph (a)(3)(ii)(B) of this section.

(D) The falsification of any of the above certifications may subject the Contractor or subcontractor to civil or criminal prosecution under section 1001 of title 18 and section 231 of title 31 of the United States Code.

(iii) The Contractor or subcontractor shall make the records required under paragraph (a)(3)(i) of this section available for inspection, copying, or transcription by authorized representatives of the Federal Transit Administration or the Department of Labor, and shall permit such representatives to interview employees during working hours on the job. If the Contractor or subcontractor fails to submit the required records or to make them available, the Federal agency may, after written notice to the Contractor, sponsor, applicant, or agency, take such action as may be necessary to cause the suspension of any further payment, advance, or guarantee of funds. Furthermore, failure to submit the required records upon request or to make such records available may be grounds for debarment action pursuant to 29 CFR 5.12.

#### **(4) Apprentices and trainees**

(i) Apprentices - Apprentices will be permitted to work at less than the predetermined rate for the work they performed when they are employed pursuant to and individually registered in a bona fide apprenticeship program registered with the U.S. Department of Labor, Employment and Training Administration, Bureau of Apprenticeship and Training, or with a State Apprenticeship Agency recognized by the Bureau, or if a person is employed in his or her first 90 days of probationary employment as an apprentice in such an apprenticeship program, who is not individually registered in the program, but who has been certified by the Bureau of Apprenticeship and Training or a State Apprenticeship Agency (where appropriate) to be eligible for probationary employment as an apprentice. The allowable ratio of apprentices to journeymen on the job site in any craft classification shall not be greater than the ratio permitted to the Contractor as to the entire work force under the registered program. Any worker listed on a payroll at an apprentice wage rate, who is not registered or otherwise employed as stated above, shall be paid not less than the applicable wage rate on the wage determination for the classification of work actually performed. In addition, any apprentice performing work on the job site in excess of the ratio permitted under the registered program shall be paid not less than the applicable wage rate on the wage determination for the work actually performed. Where a contractor is performing construction on a project in a locality other than that in which its program is registered, the ratios and wage rates (expressed in percentages of the journeyman's hourly rate) specified in the Contractor's or subcontractor's registered program shall be observed. Every apprentice must be paid at not less than the rate specified in the registered program for the apprentice's level of progress, expressed as a percentage of the journeymen hourly rate specified in the applicable wage determination. Apprentices shall be paid fringe benefits in accordance with the provisions of the apprenticeship program. If the apprenticeship program does not specify fringe benefits, apprentices must be paid the full amount of fringe benefits listed on the wage determination for the applicable classification. If the Administrator of the Wage and Hour Division of the U.S. Department of Labor determines that a different practice prevails for the applicable apprentice classification, fringes shall be paid in accordance with that determination. In the event the Bureau of Apprenticeship and Training, or a State Apprenticeship Agency recognized by the Bureau, withdraws approval of an apprenticeship program, the Contractor will no longer be permitted to utilize apprentices at less than the applicable predetermined rate for the work performed until an acceptable program is approved.

(ii) Trainees - Except as provided in 29 CFR 5.16, trainees will not be permitted to work at less than the predetermined rate for the work performed unless they are employed pursuant to and individually registered in a program which has received prior approval, evidenced by formal certification by the U.S. Department of Labor, Employment and Training Administration. The ratio of trainees to journeymen on the job site shall not be greater than permitted under the plan approved by the Employment and Training Administration. Every trainee must be paid at not less than the rate specified in the approved program for the trainee's level of progress, expressed as a percentage of the journeyman hourly rate specified in the applicable wage determination. Trainees shall be paid fringe benefits in accordance with the provisions of the trainee program. If the trainee program does not

mention fringe benefits, trainees shall be paid the full amount of fringe benefits listed on the wage determination unless the Administrator of the Wage and Hour Division determines that there is an apprenticeship program associated with the corresponding journeyman wage rate on the wage determination which provides for less than full fringe benefits for apprentices. Any employee listed on the payroll at a trainee rate who is not registered and participating in a training plan approved by the Employment and Training Administration shall be paid not less than the applicable wage rate on the wage determination for the classification of work actually performed. In addition, any trainee performing work on the job site in excess of the ratio permitted under the registered program shall be paid not less than the applicable wage rate on the wage determination for the work actually performed. In the event the Employment and Training Administration withdraws approval of a training program, the Contractor will no longer be permitted to utilize trainees at less than the applicable predetermined rate for the work performed until an acceptable program is approved.

(iii) Equal employment opportunity - The utilization of apprentices, trainees and journeymen under this part shall be in conformity with the equal employment opportunity requirements of Executive Order 11246, as amended, and 29 CFR part 30.

(5) **Compliance with Copeland Act requirements** - The Contractor shall comply with the requirements of 29 CFR part 3, which are incorporated by reference in this contract.

(6) **Subcontracts** - The Contractor or subcontractor shall insert in any subcontracts the clauses contained in 29 CFR 5.5(a)(1) through (10) and such other clauses as the Federal Transit Administration may by appropriate instructions require, and also a clause requiring the subcontractors to include these clauses in any lower tier subcontracts. The prime contractor shall be responsible for the compliance by any subcontractor or lower tier subcontractor with all the contract clauses in 29 CFR 5.5.

(7) **Contract termination: debarment** - A breach of the contract clauses in 29 CFR 5.5 may be grounds for termination of the contract, and for debarment as a Contractor and a subcontractor as provided in 29 CFR 5.12.

(8) **Compliance with Davis-Bacon and Related Act requirements** - All rulings and interpretations of the Davis-Bacon and Related Acts contained in 29 CFR parts 1, 3, and 5 are herein incorporated by reference in this contract.

(9) **Disputes concerning labor standards** - Disputes arising out of the labor standards provisions of this contract shall not be subject to the general disputes clause of this contract. Such disputes shall be resolved in accordance with the procedures of the Department of Labor set forth in 29 CFR parts 5, 6, and 7. Disputes within the meaning of this clause include disputes between the Contractor (or any of its subcontractors) and the contracting agency, the U.S. Department of Labor, or the employees or their representatives.

(10) **Certification of eligibility**

(i) By entering into this contract, the Contractor certifies that neither it (nor he or she) nor any person or firm who has an interest in the Contractor's firm is a person or firm ineligible to be awarded Government contracts by virtue of section 3(a) of the Davis-Bacon Act or 29 CFR 5.12(a)(1).

(ii) No part of this contract shall be subcontracted to any person or firm ineligible for award of a Government contract by virtue of section 3(a) of the Davis-Bacon Act or 29 CFR 5.12(a)(1).

(iii) The penalty for making false statements is prescribed in the U.S. Criminal Code, 18 U.S.C. 1001.

14. BID BOND. N/A

15. PROTESTS. Any protests shall be filed timely in accordance with the CATA Procurement Protest Procedures. These Procedures are available from the CATA Purchasing & Contracts Manager and the CATA CEO/Executive Director, at the following address: Capital Area Transportation Authority, 4615 Tranter Street, Lansing, MI 48910.

16. PERFORMANCE & PAYMENT BONDS. N/A

17. FEDERAL CHANGES. Contractor shall at all times comply with all applicable FTA regulations, policies, procedures and directives, including without limitation those listed directly or by reference in the Master Agreement between CATA and FTA, as they may be amended or promulgated from time to time during the term of this contract. Contractor shall not, by action or by inaction, cause CATA to be in violation of FTA regulations, policies, procedures, or directives. Contractor's failure to comply with this paragraph shall constitute a material breach of this contract.
18. NO GOVERNMENT OBLIGATION. Notwithstanding any concurrence by the Federal Government or MDOT in, or approval of, the solicitation or award of this Agreement, absent the express written consent by the Federal Government or by MDOT, neither the Federal Government nor the State of Michigan is a party to this Agreement, and neither shall be subject to any obligations or liabilities to CATA, the Contractor or any other party (whether or not a party to this Agreement) pertaining to any matter resulting from this Agreement. The Contractor agrees to include this clause in each subcontract financed in whole or in part with Federal assistance provided by FTA. It is further agreed that the clause shall not be modified, except to identify the subcontractor who will be subject to its provisions.
19. CLEAN WATER. The Contractor agrees to comply with all applicable standards, orders or regulations issued pursuant to the Federal Water Pollution Control Act, as amended, 33 U.S.C. 1251 et seq. The Contractor agrees to report each violation to CATA and understands and agrees that CATA will, in turn, report each violation as required to FTA and the appropriate EPA Regional Office. The Contractor also agrees to include these requirements in each subcontract exceeding \$100,000 financed in whole or in part with Federal assistance provided by FTA.
20. SEISMIC SAFETY. The Contractor agrees that any new building or addition to an existing building will be designed and constructed in accordance with the standards for Seismic Safety required in Department of Transportation Seismic Safety Regulations 49 CFR Part 41 and will certify to compliance to the extent required by the regulation. The Contractor also agrees to ensure that all work performed under this Contract including work performed by a subcontractor is in compliance with the standards required by the Seismic Safety Regulations and the certification of compliance issued on the project.
21. ENERGY CONSERVATION. The Contractor agrees to comply with mandatory standards and policies relating to energy efficiency which are contained in the state energy conservation plan issued in compliance with the Energy Policy and Conservation Act.
22. RECOVERED MATERIALS. The Contractor agrees to comply with all requirements of Section 6002 of the Resource Conservation and Recovery Act ("RCRA"), as amended (42 USC 6962), including but not limited to the regulatory provisions of 40 CFR Part 247, and Executive Order 12873, as they apply to the procurement of the items designated in subpart B of 40 CFR Part 247.
23. FLY AMERICA REQUIREMENTS. Contractor agrees to comply with 49 U.S.C. 40118 ("Fly America Act") in accordance with the General Services Administration's regulations at 41 CFR Part 301-10, which provide that recipients and subrecipients of federal funds and their contractors are required to use United States Flag air carriers for U.S. Government financed international air travel and transportation of their personal effects or property, to the extent such service is available, unless travel by foreign air carrier is a matter of necessity, as defined by the Fly America Act. The Contractor shall submit, if a foreign air carrier was used, an appropriate certification or memorandum adequately explaining why service by a United States Flag air carrier was not available or why it was necessary to use a foreign air carrier and shall, in any event, provide a certificate of compliance with the Fly America requirements. The Contractor agrees to include the requirements of this section in all subcontracts that may involve international air transportation.
24. CARGO PREFERENCE. The Contractor agrees (a) to use privately owned United States Flag commercial vessels to ship at least 50% of the gross tonnage (computed separately for dry bulk carriers, dry cargo liners, and tankers) involved, whenever shipping any equipment, material, or commodities pursuant to the underlying contract to the extent such vessels are available at fair and reasonable rates for United States Flag commercial vessels; (b) to furnish within twenty (20) working days following the date of loading of shipments originating within the United States or within thirty (30) working days following the date of loading for shipments originating outside the United States, a legible copy of the rated, "on-board" commercial ocean bill of lading, in English, for each shipment of cargo described in the preceding paragraph to the Division of National Cargo, Office of Market Development, Maritime Administration, Washington, D.C., 20590. CATA (through the Contractor in the case of a subcontractor's bill of lading); and (c) to include these requirements in all subcontracts

issued pursuant to this contract where the subcontract may involve the transport of equipment, material, or commodities by ocean vessel.

## 25. PROGRAM FRAUD AND FALSE OR FRAUDULENT STATEMENTS OR RELATED ACTS.

- (a) The Contractor acknowledges that the provisions of the Program Fraud Civil Rights Act of 1986, as amended, 31 U.S.C. § 3801 et seq. and U.S. DOT regulations, "Program Fraud Civil Remedies," 49 C.F.R. Part 31, apply to its actions pertaining to this Project. Upon execution of the underlying contract, the Contractor certifies or affirms the truthfulness and accuracy of any statement it has made, it makes, or may make, or causes to be made, pertaining to the underlying contract or the FTA assisted project for which this contract work is being performed. In addition to other penalties that may be applicable, the Contractor further acknowledges that if it makes, or causes to be made, a false, fictitious, or fraudulent claim, statement, submission, or certification, the Federal Government reserves the right to impose the penalties of the Program Fraud Civil Remedies Act of 1986 on the Contractor to the extent the Federal Government deems appropriate.
- (b) The Contractor also acknowledges that if it makes, or causes to be made, a false, fictitious, or fraudulent claim, statement, submission, or certification to the Federal Government under a contract connected with a project that is financed in whole or in part with Federal assistance originally awarded by FTA under authority of 49 U.S.C. § 5307, the Federal Government reserves the right to impose the penalties of 18 U.S.C. § 1001 and 49 U.S.C. § 5307(n)(1) on the Contractor, or the applicable Federal law to the extent the Federal Government deems appropriate.
- (c) The Contractor agrees to include the above two clauses in each subcontract financed in whole or in part with Federal assistance by FTA. It is further agreed that the clauses shall not be modified, except to identify the subcontractor who will be subject to the provisions.

## 26. SAFE OPERATIONS OF MOTOR VEHICLES

- (a) Seat Belt Use – Contractor is encouraged to adopt and promote on-the-job seat belt use policies and programs for its employees and other personnel that operate company-owned vehicles, company-rented vehicles, or personally operated vehicles. The terms "company-owned" and "company-leased" refer to vehicles owned or leased either by the Contractor or CATA.
- (b) Distracted Driving – Contractor agrees to adopt and enforce workplace safety policies to decrease crashes caused by distracted drivers, including policies to ban text messaging while using an electronic device supplied by an employer and driving a vehicle the driver owns or rents, a vehicle either Contractor or CATA owns, leases, or rents, or a privately-owned vehicle when on official business in connection with the work performed under this agreement.

## 27. VETERANS EMPLOYMENT

Contractors working on a federally funded project give a hiring preference, to the extent practicable, to veterans (as defined in 5 USC §2108) who have the requisite skills and abilities to perform the construction work required under the contract. This provision shall not be understood, construed, or enforced in any manner that would require an employer to give preference to any veteran over any equally qualified applicant who is a member any racial or ethnic minority, female, an individual with a disability, or former employee.

**APPENDIX A****PROHIBITION OF DISCRIMINATION IN STATE CONTRACTS**

In connection with the performance of work under this contract, Contractor agrees as follows:

1. In accordance with Act 453, Public Acts of 1976, Contractor hereby agrees not to discriminate against an employee or applicant for employment with respect to hire, tenure, terms, conditions, or privileges of employment, or as a matter directly or indirectly related to employment, because of race, color, religion, national origin, age, sex, height, weight, or marital status. Further, in accordance with Act No. 220, Public Acts of 1976 as amended by Act No. 478, Public Acts of 1980, Contractor hereby agrees not to discriminate against an employee or applicant for employment with respect to hire, tenure, terms, conditions, or privileges of employment, or a matter directly or indirectly related to employment, because of a disability that is unrelated to the individual's ability to perform the duties of a particular job or position. A breach of the above covenants shall be regarded as a material breach of this contract.
2. Contractor hereby agrees that any and all subcontracts to this contract, whereby a portion of the work set forth in this contract is to be performed, shall contain a covenant the same as hereinabove set forth in Section 1 of this Appendix.
3. Contractor will take affirmative action to insure that applicants for employment and employees are treated without regard to their race, color, religion, national origin, age, sex, height, weight, marital status or a disability that is unrelated to the individual's ability to perform the duties of a particular job or position. Such action shall include, but not be limited to the following: employment, upgrading, demotion or transfer, recruitment advertising; layoff or termination; rates of pay or other forms of compensation; and selection for training, including apprenticeship.
4. Contractor will, in all solicitations or advertisements for employees placed by or on behalf of Contractor, state that all qualified applicants will receive consideration for employment without regard to race, color, religion, national origin, age, sex, height, weight, marital status or disability that is unrelated to the individual's ability to perform the duties of a particular job or position.
5. Contractor or its collective bargaining representative will send to each labor union or representative of workers with which it has a collective bargaining agreement or other contract or understanding, a notice advising the said labor union or workers' representative of the Contractor's commitments under this appendix.
6. Contractor will comply with all relevant published rules, regulations, directives, and orders of the Michigan Civil Rights Commission which may be in effect prior to the taking of bids for any individual state project.
7. Contractor will furnish and file compliance reports within such time and upon such forms as provided by the Michigan Civil Rights Commission, said forms may also elicit information as to the practices, policies, program, and employment statistics of each subcontractor as well as Contractor itself, and said Contractor will permit access to its books, records, and accounts by the Michigan Civil Rights Commission and/or its agent, for purposes of investigation to ascertain compliance with this contract and relevant with rules, regulations, and orders of the Michigan Civil Rights Commission.
8. In the event that the Civil Rights Commission finds, after a hearing held pursuant to its rules, that Contractor has not complied with the contractual obligations under this Agreement, the Civil Rights Commission may, as part of its order based upon such findings, certify said findings to the Administrative Board of the State of Michigan, which Administrative Board may order the cancellation of the contract found to have been violated and/or declare Contractor ineligible for future contracts with the state and its political and civil subdivisions, departments, and officers, and including the governing boards of institutions of higher education, until Contractor complies with said order of the Civil Rights Commission. Notice of said declaration of future ineligibility may be given to any or all of the persons with whom Contractor is declared ineligible to contract as a contracting party in future contracts. In any case before the Civil Rights Commission in which cancellation of an existing contract is a possibility, the contracting agency shall be notified of such possible remedy and shall be given the option by the Civil Rights Commission to participate in such proceedings.
9. Contractor will include, or incorporate by reference, the provisions of the foregoing paragraphs (1) through (8) in every subcontract or purchase order unless exempted by the rules, regulations or orders of the Michigan Civil Rights Commission, and will provide in every subcontract or purchase order that said provisions will be binding upon each subcontractor or seller.

**APPENDIX B****ASSURANCES THAT CONTRACTORS AND SUBCONTRACTORS MUST MAKE PURSUANT TO US DOT  
REGULATION 49 CFR § 26, et seq**

- A. Contractor, subrecipient or subcontractor shall not discriminate on the basis of race, color, national origin, or sex, in the performance of this contract. Contractor shall carry out applicable requirements of 49 CFR § 26 in the award and administration of DOT-assisted contracts. Failure of the Contractor to carry out these requirements is a material breach of this contract, which may result in the termination of this contract or such other remedy as the recipient deems appropriate, which may include, but is not limited to:
1. Withholding monthly progress payments;
  2. Assessing sanctions;
  3. Liquidated damages; and/or
  4. Disqualifying the Contractor from further bidding as non-responsible.
- B. Each contract Contractor signs with a subcontractor must include the preceding assurance.

**POLICY #204****DISADVANTAGED BUSINESS ENTERPRISE POLICY**

The Capital Area Transportation Authority ("CATA") is committed to a policy of non-discrimination in the conduct of its business, including the procurement of goods and services. CATA will take affirmative action to assure maximum practical opportunity for participation of Disadvantaged Business Enterprise ("DBE") in the performance of contracts financed in whole or in part with funds from the United States Department of Transportation, the Federal Transit Administration ("FTA"), the Michigan Department of Transportation ("MDOT"), or other state and federal agencies with DBE programs.

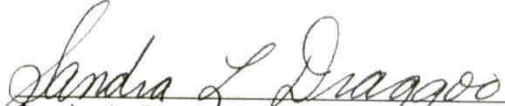
The Executive Director of CATA will annually set an overall goal or goals as a "level playing field" for the amount of DBE participation that can reasonably be expected in the absence of discrimination. This goal will be based on demonstrable evidence of ready, willing, and able DBEs that are available to participate in government assisted contracts. Affirmative action shall be consistent with sound procurement principles and applicable law.

This Policy Statement will be executed by the Executive Director and the Board Chair of CATA, and then circulated to all Department Directors, and Department Managers within the organization and circulated to contracting organizations, the state offices which administer programs, and DBE organizations. The Executive Director will give public notice of DBE goals, how the goals were determined, and contact information for public comment.

CATA's Purchasing Manager shall be the DBE liaison for CATA and will be responsible for administering the program. The DBE liaison will report to the Assistant Executive Director and shall have direct access to the Executive Director, as necessary. The DBE liaison will work with all directors and department managers to insure the effective functioning of CATA's DBE program.

The efforts and results of the entire staff will be reported to the Board through the Development Report of the Executive Director.

  
 \_\_\_\_\_  
 Sam Singh, Board Chair

  
 \_\_\_\_\_  
 Sandra L. Draggoo, CEO/Executive Director

Adopted: 2/9/84  
 Amended: 6/27/84  
 11/14/84  
 3/15/89  
 10/19/05

**EXHIBIT F  
OFFER and GUARANTEES**

By execution below, the Bidder hereby offers to furnish the items as described herein. The Bidder also certifies that it can and will provide and make available, at a minimum, the items set forth in this solicitation.

<b>FIRM'S NAME AND ADDRESS</b>		<b>PAYMENT REMITTANCE ADDRESS</b>	
<b>Name:</b>		<b>Name:</b>	
<b>Address:</b>		<b>Address:</b>	
<b>P.O. Box or Suite No.</b>		<b>P.O. Box or Suite No.</b>	
<b>City</b>		<b>City</b>	
<b>State</b>	<b>Zip</b>	<b>State</b>	<b>Zip</b>
<b>Contact Person:</b>			
<b>Telephone No.</b>	<b>Fax No.</b>	<b>E-Mail Address:</b>	
<b>FEDERAL EMPLOYER I.D. NUMBER:</b>		<b>SOCIAL SECURITY NUMBER:</b> (If Federal I.D. is not applicable)	
<b>Payment Terms:</b>		<b>Age of Firm:</b>	
<b>Disadvantaged Business Enterprise:</b> <input type="checkbox"/> Yes <input type="checkbox"/> No If yes, attach the certificate from the certifying agency.			
<b>Minority Business Category:</b> <input type="checkbox"/> Female <input type="checkbox"/> Black <input type="checkbox"/> Hispanic <input type="checkbox"/> Asian American <input type="checkbox"/> Indian/Alaskan Native <input type="checkbox"/> Other <input type="checkbox"/> Not Applicable			
<b>Annual Gross Receipts:</b> <input type="checkbox"/> less than \$500,000 <input type="checkbox"/> \$500,000 to \$1 million <input type="checkbox"/> \$1 million to \$5 million <input type="checkbox"/> greater than \$5 million			
<b>Contractor's License Type:</b>			
<b>Contractor's License Number:</b>			
<b>License Expiration Date:</b>			
<b>NAME OF BIDDER (Type or Print)</b>		<b>TITLE OF BIDDER</b>	
<b>Signature of Contractor's Authorized Official</b>		<b>(Date Signed)</b>	

**THIS FORM MUST BE COMPLETED AND RETURNED WITH YOUR OFFER**

**EXHIBIT G**

**CERTIFICATION OF PRIMARY CONTRACTOR REGARDING DEBARMENT, SUSPENSION AND OTHER RESPONSIBILITY MATTERS**

The Primary Contractor, \_\_\_\_\_, certifies to the best of its knowledge and belief, that it and its principals:

- 1. Are not presently debarred, suspended, proposed for debarment, declared ineligible, or voluntarily excluded from covered transactions by any Federal department or agency;
- 2. Have not within a three (3) year period preceding this proposal been convicted of or had a civil judgment rendered against them for commission of fraud or a criminal offense in connection with obtaining, attempting to obtain, or performing a public (Federal, State or Local) transaction or contract under a public transaction; violation of Federal or State antitrust statutes or commission of embezzlement, theft, forgery, bribery, falsification or destruction of records, making false statements, or receiving stolen property;
- 3. Are not presently indicted for or otherwise criminally or civilly charged by a governmental entity (Federal, State, or Local) with commission of any of the offense enumerated in paragraph (2) of this certification; and
- 4. Have not within a three (3) year period preceding this application/proposal had one (1) or more public transactions (Federal, State, or Local) terminated for cause or default.

If the above named Primary Contractor is unable to certify to any of the statements in this certification, the Primary Contractor shall attach an explanation to this certification.

The Primary Contractor, \_\_\_\_\_, certifies or affirms the truthfulness and accuracy of the contents of the statements submitted on or with this certification and understands that the provision of 31 U.S.C. Section 3801 et seq. are applicable thereto.

Bidder: \_\_\_\_\_

Signature: \_\_\_\_\_

Printed Name: \_\_\_\_\_

Title: \_\_\_\_\_

Date: \_\_\_\_\_

**THIS FORM MUST BE COMPLETED AND RETURNED WITH YOUR OFFER**

**EXHIBIT H  
WAGE DETERMINATION**

General Decision Number: MI190125 04/12/2019 MI125

Superseded General Decision Number: MI20180125

State: Michigan

Construction Type: Building

County: Huron County in Michigan.

BUILDING CONSTRUCTION PROJECTS (does not include single family homes or apartments up to and including 4 stories).

Note: Under Executive Order (EO) 13658, an hourly minimum wage of \$10.60 for calendar year 2019 applies to all contracts subject to the Davis-Bacon Act for which the contract is awarded (and any solicitation was issued) on or after January 1, 2015. If this contract is covered by the EO, the contractor must pay all workers in any classification listed on this wage determination at least \$10.60 per hour (or the applicable wage rate listed on this wage determination, if it is higher) for all hours spent performing on the contract in calendar year 2019. If this contract is covered by the EO and a classification considered necessary for performance of work on the contract does not appear on this wage determination, the contractor must pay workers in that classification at least the wage rate determined through the conformance process set forth in 29 CFR 5.5(a)(1)(ii) (or the EO minimum wage rate, if it is higher than the conformed wage rate). The EO minimum wage rate will be adjusted annually. Please note that this EO applies to the above-mentioned types of contracts entered into by the federal government that are subject to the Davis-Bacon Act itself, but it does not apply to contracts subject only to the Davis-Bacon Related Acts, including those set forth at 29 CFR 5.1(a)(2)-(60). Additional information on contractor requirements and worker protections under the EO is available at [www.dol.gov/whd/govcontracts](http://www.dol.gov/whd/govcontracts).

Modification Number	Publication Date
0	01/04/2019
1	04/12/2019

ASBE0047-005 07/01/2018

	Rates	Fringes
ASBESTOS WORKER/HEAT & FROST INSULATOR.....	\$ 30.82	17.88
-----		

BOIL0169-002 03/01/2018

	Rates	Fringes
BOILERMAKER.....	\$ 38.65	26.22
-----		

BRMI0009-018 08/01/2018

	Rates	Fringes
BRICKLAYER.....	\$ 29.40	18.39
PLASTERER.....	\$ 29.99	18.08
TILE SETTER.....	\$ 29.20	15.08
-----		

CARP0706-011 06/01/2018

	Rates	Fringes
CARPENTER (Excluding Acoustical Ceiling		

Installation, Drywall  
 Hanging, Form Work, Metal  
 Stud Installation, and Soft  
 Floor Layer - Carpet).....\$ 25.91            20.94

-----  
 CARP0706-019 06/01/2018

Rates            Fringes

CARPENTER (Acoustical Ceiling  
 Installation, Form Work,  
 Metal Stud Installation, and  
 Lather Drywall Hanging).....\$ 25.91            20.94

-----  
 CARP1102-003 06/01/2018

Rates            Fringes

MILLWRIGHT.....\$ 33.65            32.25

-----  
 ELEC0058-005 07/01/2018

Rates            Fringes

ELECTRICIAN (Excludes Low  
 Voltage Wiring).....\$ 41.28            24.03  
 ELECTRICIAN (Low Voltage  
 Wiring Only)  
     Installer.....\$ 24.25            12.38  
     Technician.....\$ 35.01            14.08

-----  
 ENGI0324-022 06/01/2018

Rates            Fringes

OPERATOR: Power Equipment  
     GROUP 1.....\$ 38.68            23.30  
     GROUP 2.....\$ 35.38            23.30  
     GROUP 3.....\$ 32.73            23.30  
     GROUP 4.....\$ 31.02            23.30  
     GROUP 5.....\$ 25.16            23.30  
     GROUP 6.....\$ 22.68            23.30

Crane operator with main boom and jib 300' or longer: \$1.50 per hour above the group 1 rate.  
 Crane operator with main boom and jib 400' or longer: \$3.00 per hour above the group 1 rate.

PAID HOLIDAYS: New Year's Day, Memorial Day, Fourth of July, Labor Day, Thanksgiving Day and Christmas Day.

POWER EQUIPMENT OPERATOR CLASSIFICATIONS

- GROUP 1: Crane operator with main boom and jib 400', 300', or 220' or longer.
- GROUP 2: Crane operator with main boom and jib 140' or longer, tower crane, gantry crane, whirley derrick
- GROUP 3: Backhoe/Excavator; Crane; Loader; Paver; Scraper; Stiff Leg Derrick
- GROUP 4: Bobcat/Skid Loader; Fork Truck (over 20' lift)
- GROUP 5: Fork Truck (20' lift and under for masonry work)
- GROUP 6: Oiler

-----  
 IRON0025-009 06/01/2018

Rates            Fringes

IRONWORKER, STRUCTURAL (Metal  
 Building Erection Only).....\$ 35.52            28.65

IRON0025-010 06/01/2018

	Rates	Fringes
IRONWORKER, REINFORCING.....	\$ 29.48	27.74
IRONWORKER, STRUCTURAL.....	\$ 35.52	28.65

LABO1098-031 07/01/2018

	Rates	Fringes
LABORER		
Common or General; Mason		
Tender - Brick; Mason		
Tender - Cement/Concrete;		
and Pipelayer.....	\$ 19.65	12.85
Sandblaster.....	\$ 20.91	19.90

PAIN1474-007 06/01/2010

	Rates	Fringes
PAINTER: Brush, Roller and		
Spray.....	\$ 23.79	12.02
PAINTER: Drywall		
Finishing/Taping.....	\$ 23.79	12.02

PLAS0016-038 04/01/2014

	Rates	Fringes
CEMENT MASON/CONCRETE FINISHER...	\$ 25.47	12.38

\* PLUM0085-008 05/07/2018

Portion of Huron County lying west of M-53

	Rates	Fringes
PIPEFITTER (Excludes HVAC		
Pipe and System Installation)....	\$ 34.40	21.07
PIPEFITTER (HVAC Pipe		
Installation Only).....	\$ 34.40	21.07
PLUMBER (Excluding HVAC Pipe		
and System Installation).....	\$ 34.40	21.07

PLUM0098-006 06/05/2018

Portion of Huron County lying east of M-53

	Rates	Fringes
PLUMBER (Excluding HVAC Pipe		
& System Installation).....	\$ 39.77	27.13

PLUM0636-005 06/05/2017

Portion of Huron County lying east of M-53

	Rates	Fringes
PIPEFITTER (Includes HVAC		

Pipe Installation; Excludes HVAC System Installation).....\$ 40.41      29.35

-----  
SFMI0669-003 04/01/2017

Rates      Fringes

SPRINKLER FITTER (Fire Sprinklers).....\$ 34.87      15.84

-----  
SHEE0007-021 05/01/2018

Rates      Fringes

SHEET METAL WORKER (Excluding HVAC Duct & System Installation).....\$ 26.83      23.78

SHEET METAL WORKER (HVAC Duct & System Installation).....\$ 26.83      23.78

-----  
SUMI2011-050 02/14/2011

Rates      Fringes

CARPENTER (Floor Laying-Carpet Only).....\$ 19.59      7.57

GLAZIER.....\$ 16.95      4.74

LABORER: Landscape & Irrigation.....\$ 12.84      0.00

OPERATOR: Bulldozer.....\$ 22.34      1.22

OPERATOR: Grader/Blade.....\$ 24.04      6.03

OPERATOR: Roller.....\$ 28.02      7.07

OPERATOR: Tractor.....\$ 19.60      7.31

ROOFER.....\$ 15.73      7.41

TRUCK DRIVER, Includes Dump and Tandem Truck.....\$ 15.65      3.12

TRUCK DRIVER: Flatbed Truck.....\$ 16.80      3.97

-----  
WELDERS - Receive rate prescribed for craft performing operation to which welding is incidental.

=====

Note: Executive Order (EO) 13706, Establishing Paid Sick Leave for Federal Contractors applies to all contracts subject to the Davis-Bacon Act for which the contract is awarded (and any solicitation was issued) on or after January 1, 2017. If this contract is covered by the EO, the contractor must provide employees with 1 hour of paid sick leave for every 30 hours they work, up to 56 hours of paid sick leave each year. Employees must be permitted to use paid sick leave for their own illness, injury or other health-related needs, including preventive care; to assist a family member (or person who is like family to the employee) who is ill, injured, or has other health-related needs, including preventive care; or for reasons resulting from, or to assist a family member (or person who is like family to the employee) who is a victim of, domestic violence, sexual assault, or stalking. Additional information on contractor requirements and worker protections under the EO is available at [www.dol.gov/whd/govcontracts](http://www.dol.gov/whd/govcontracts).

Unlisted classifications needed for work not included within the scope of the classifications listed may be added after

award only as provided in the labor standards contract clauses (29CFR 5.5 (a) (1) (ii)).

The body of each wage determination lists the classification and wage rates that have been found to be prevailing for the cited type(s) of construction in the area covered by the wage determination. The classifications are listed in alphabetical order of "identifiers" that indicate whether the particular rate is a union rate (current union negotiated rate for local), a survey rate (weighted average rate) or a union average rate (weighted union average rate).

Union Rate Identifiers

A four letter classification abbreviation identifier enclosed in dotted lines beginning with characters other than "SU" or "UAVG" denotes that the union classification and rate were prevailing for that classification in the survey. Example: PLUM0198-005 07/01/2014. PLUM is an abbreviation identifier of the union which prevailed in the survey for this classification, which in this example would be Plumbers. 0198 indicates the local union number or district council number where applicable, i.e., Plumbers Local 0198. The next number, 005 in the example, is an internal number used in processing the wage determination. 07/01/2014 is the effective date of the most current negotiated rate, which in this example is July 1, 2014.

Union prevailing wage rates are updated to reflect all rate changes in the collective bargaining agreement (CBA) governing this classification and rate.

Survey Rate Identifiers

Classifications listed under the "SU" identifier indicate that no one rate prevailed for this classification in the survey and the published rate is derived by computing a weighted average rate based on all the rates reported in the survey for that classification. As this weighted average rate includes all rates reported in the survey, it may include both union and non-union rates. Example: SULA2012-007 5/13/2014. SU indicates the rates are survey rates based on a weighted average calculation of rates and are not majority rates. LA indicates the State of Louisiana. 2012 is the year of survey on which these classifications and rates are based. The next number, 007 in the example, is an internal number used in producing the wage determination. 5/13/2014 indicates the survey completion date for the classifications and rates under that identifier.

Survey wage rates are not updated and remain in effect until a new survey is conducted.

Union Average Rate Identifiers

Classification(s) listed under the UAVG identifier indicate that no single majority rate prevailed for those classifications; however, 100% of the data reported for the classifications was union data. EXAMPLE: UAVG-OH-0010 08/29/2014. UAVG indicates that the rate is a weighted union average rate. OH indicates the state. The next number, 0010 in the example, is an internal number used in producing the wage determination. 08/29/2014 indicates the survey completion date for the classifications and rates under that identifier.

A UAVG rate will be updated once a year, usually in January of each year, to reflect a weighted average of the current negotiated/CBA rate of the union locals from which the rate is based.

WAGE DETERMINATION APPEALS PROCESS

1.) Has there been an initial decision in the matter? This can be:

- \* an existing published wage determination
- \* a survey underlying a wage determination
- \* a Wage and Hour Division letter setting forth a position on a wage determination matter
- \* a conformance (additional classification and rate) ruling

On survey related matters, initial contact, including requests for summaries of surveys, should be with the Wage and Hour Regional Office for the area in which the survey was conducted because those Regional Offices have responsibility for the Davis-Bacon survey program. If the response from this initial contact is not satisfactory, then the process described in 2.) and 3.) should be followed.

With regard to any other matter not yet ripe for the formal process described here, initial contact should be with the Branch of Construction Wage Determinations. Write to:

Branch of Construction Wage Determinations  
Wage and Hour Division  
U.S. Department of Labor  
200 Constitution Avenue, N.W.  
Washington, DC 20210

2.) If the answer to the question in 1.) is yes, then an interested party (those affected by the action) can request review and reconsideration from the Wage and Hour Administrator (See 29 CFR Part 1.8 and 29 CFR Part 7). Write to:

Wage and Hour Administrator  
U.S. Department of Labor  
200 Constitution Avenue, N.W.  
Washington, DC 20210

The request should be accompanied by a full statement of the interested party's position and by any information (wage payment data, project description, area practice material, etc.) that the requestor considers relevant to the issue.

3.) If the decision of the Administrator is not favorable, an interested party may appeal directly to the Administrative Review Board (formerly the Wage Appeals Board). Write to:

Administrative Review Board  
U.S. Department of Labor  
200 Constitution Avenue, N.W.  
Washington, DC 20210

4.) All decisions by the Administrative Review Board are final.

=====

END OF GENERAL DECISION